

HALF YEARLY NEWS BULLETIN

MECH REVISTA

Volume: IV Issue: II

AY: 2019-20, Sem: II

EDITORS:

Dr. Santosh D. Sancheti

Mr. Dinesh S. Suryawanshi



SNJB'S LATE SAU. K. B. JAIN
COLLEGE OF ENGINEERING,
CHANDWAD



SNJB's
LATE. SAU. K. B. JAIN,
COLLEGE OF ENGINEERING
CHANDWAD.

DEPARTMENT OF

HALF YEARLY NEWS BULLETIN
A.Y. 2019-20

SEMESTER-II

Mech Revista

Volume: IV

Issue: II

Editors:

Dr. Santosh D. Sancheti

Mr. Dinesh S. Suryawanshi





FROM HEAD OF DEPARTMENT DESK



Dr. Santosh D. Sancheti

It gives me great satisfaction to welcome you all on behalf of the entire Mechanical engineering department of the SNJB's Late. Sau. K. B. Jain College of Engineering, Chandwad.

Apart from academic activities, the co-curricular activities, sports, adventure, cultural and social-service activities, form important aspects of the life of the human being. Thus we are highlighting these activities of this semester in the

DEPARTMENT OF MECHANICAL ENGINEERING



VISION

- To impart quality technical education in the field of Mechanical Engineering for the benefits of society

MISSION

- To provide quality education among the students through the curriculum and industrial exposure.
- To develop a learning environment leading to innovations, skill development and professional ethics through curricular and extracurricular activities for societal growth.

PEO'S AND PSO'S

◆ Program Educational Objectives (PEOs):

PEO 1: Graduates will possess essential professional Mechanical Engineering skills to develop solutions for industrial and societal problems.

PEO 2: Graduates will engage and succeed in their professional careers through teamwork, professional ethics and effective communication.

PEO 3: Graduates will engage in lifelong learning, career enhancement and adapt to emerging technologies for the benefits of society.

◆ Program Specific Outcomes (PSOs):

PSO1: Graduates will have an ability to identify, analyze, and develop appropriate solution(s) to Mechanical Engineering Problems.

PSO2: Graduates will be able to use modern engineering tools for analyzing and solving practical problems of industry and society.

PSO3: Graduates will be able to learn and grow constantly, with



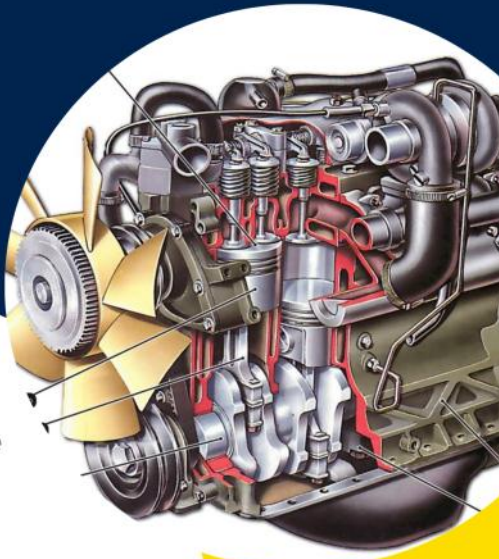
Guest Lecture



SNJB's
Late Sau. K. B. Jain
College of Engineering, Chandwad

Department of Mechanical Engineering

Expert Talk on
**Design of
IC Engine
Components**



EXPERT:

Mr. Ashirth Nigale

DATE:

24th April 2020

H.O.D.
MECHANICAL

PRINCIPAL
SNJB'S COE



SNJB's
Late Sau. K. B. Jain
College of Engineering, Chandwad
Department of Mechanical Engineering

EXPERT TALK ON

**OPPORTUNITY
FOR ENGINEERS
IN THERMAL
INDUSTRIES**

▶▶ **EXPERT:**

MR. G. M. BHAVAR
THERMAX LTD, PUNE

H.O.D.
MECHANICAL



PRINCIPAL
SNJB'S COE

Guest Lecture



SNJB's Late Sau. K. B. Jain
College of Engineering, Chandwad
NAAC accredited by "A" Grade



Mechanical Engineering
Department Organizes
Expert Talk
on
**Mechanism used
to real life and
industrial
Applications**
For
Mechanical Engineering
Students

Date: 20th January, 2020. Monday.
Expert: Mr. Harshal Gangurde,
Plant Manager,
Nirmiti Precision Pvt Ltd, Nashik

Dr. S. D. Sancheti
Head of Mechanical Dept.

Dr. M. R. Sanghavi
Vice-Principal

Dr. M. D. Kokate
Principal



SNJB's Late Sau. K. B. Jain
College of Engineering, Chandwad
NAAC accredited by "A" Grade



Mechanical Engineering
Department Organizes
Expert Talk
on
**Flex
Engine**
For
Mechanical Engineering
Students

Date: 12th February, 2020. Wednesday.
Expert: Mr. Swapnil Patil,
Head of Production,
Mahindra and Mahindra, Nashik

Dr. S. D. Sancheti
Head of Mechanical Dept.

Dr. M. R. Sanghavi
Vice-Principal

Dr. M. D. Kokate
Principal

Guest Lecture



SNJB's
Late Sau. K. B. Jain College of Engineering Chandwad
(Accredited with 'A' Grade by NAAC)

Training and Placement Cell

Presents
Expert Session on



“ Resume Building Workshop ”

Speaker

Ajinkya Chopade

Entrepreneur, Educator and Author



on 2nd June 2020 from 2 PM to 3.30 PM on Zoom Meeting App.



SNJB's
Late Sau. K. B. Jain College of Engineering, Chandwad
NAAC accredited A Grade College



Department of Computer Engineering & Information Technology
In Association with CSI Student Branch
Organizes Session of

Date: 8 July 2020

Time: 12.30 PM to 2 PM



Shri. S. R. Karode

CSI Fellow Member

Scan QR Code & Go Live



Webinar on Time Management for Faculties and Students

EVENTS

Syllabus Implementation Programme



Mechanical Engineering Department of SNJB's Late Sau Kantabai Bhavarlalji Jain College of Engineering, Chandwad is organised **One day Syllabus Implementation and Detailing Workshop** for the subject **ENGINEERING GRAPHICS (102012)(2019 PAT)** for **Nashik, Sangamner, Ahmednagar** region engineering colleges on **Wednesday, 11 December 2019**

Co-ordinators
Prof. Vinay C. Jadhav,
Prof. Kiran B. Gore,
Prof. Mangesh A. Ahire

EVENTS

‘Centre of Excellence’ For ‘Rapid Prototyping’ in Association with Anet Technologies Pvt. Ltd. China



On 17 January 2020 Shenzhen ANET Technology Co. Ltd Guangdong, (China) and 3idea Technologies LLP , Mumbai (India) Visited College to Sign MoU with SNJB's Late Sau K. B. Jain College of Engineering, Chandwad. Under Industrial University Research Co-operation and established the ‘Centre of Excellence for 3D Printers’ in Mechanical Department.

EVENTS

Grand Inauguration of Vehicles Made By Our Students



GRAND INAUGURATION OF

**ATV
IRONHIDE 3.0**
Team Crew

**EFFICYCLE
ULTRON 2.0**
Team Avengers

**GO KART
WARHAMMER 2.0**
Team Spartans

On

Date: 18 Jan 2020, Saturday at 09.30 AM

By Auspicious Hands of

Hon. Shri. Bebilalji Sancheti
Chairman, SNJB Prabandh Samiti

Mr. Dineshkumarji Lodha
Coordinator
SNJB CoE

Mr. Zumbarlalji Bhandari
Coordinator
SNJB CoE

Mr. Sunilkumarji Chopda
Coordinator
SNJB CoE

Mr. Rushabh Baldota
International Author
Cleared ACP CAPF UPSC 2018

Mrs. Nivedita Pagar Dharrao
WEAA India Award
2020 Winner

EVENTS

Grand Inauguration of Vehicles Made By Students



Praise Ceremony



Mechanical Department Students were praised for their achievements.

Achievers:-

- ◆ Representing Savitribai Phule Pune University in State Level AVISHKAR Competition
- ◆ Cash prize of Rs. 50000 / - for first place in University in 'Researcher to Entrepreneur' Competition.
- ◆ Two projects selected in the National Competition to be held in Delhi, winning first place from West India in the CHATRA VISHWAKARMA AWARDS-19.

Great Bhet



Shri. Rajendraji Bora and Parivar (Bora Agro Foods, Pune), Shri. Parasji Modi (President, All India Shwetambar Sthanakwasi Jain Conference, New Delhi), Shri. Bhamshah Labhchandji Kothari, Hon. Management and all the esteemed office bearers and Principals of the institute inspected the projects made by the students of Mechanical Department and the work done by the students.

- ◆ On this occasion Shri. Rajendraji Bora gave a prize of ₹ 21000 /- to Smart Sugar Cane Planter project.
- ◆ Shri. Labhchandji Kothari gave a prize of 25000 / - to the project of Smart Maze Planter.

ACHIEVEMENTS

Felicitation of Dr. R. C. Patil for Completing Ph.D.



- ◆ Felicitation of Dr. R. C. Patil on completing Ph.D. by Hon. Dinesh bhau Lodha and Hon. Zumbarlalji Bhandari and Principal Sir in presence of all HoD and Department staff..

ACHIEVEMENTS

Our Student Mr. Ankit Raman Upaganlawar
(BE Mech) Successfully Completed
'Lean Six Sigma Yellow belt' Course.



ACHIEVEMENTS

Our Students Secured 1st Rank



StartUp & Innovation Cell Team.

**Congratulations to
Amol Harde (BE Mech)
Amol Gaikwad (BE Mech)**

**Secured 1st Rank with Prize Money 50,000/- at
I-2-E Cluster Level Competition conducted by Centre
of Innovation, Incubation & Enterprise, SPPU**

ACHIEVEMENTS

Felicitation of **Mr Sagar Thakare, (BE Mech)** for his achievement in State level Avishkar-19 project competition by **Hon.Nitin Karmalkar (VC, SPPU)** on SPPU foundation day in Pune.



ACHIEVEMENTS

Felicitation of Our Girls Students



Felicitation of Our Girl students for their Great work in National Level Project Competition on the Occasion of 'National Women's Day'

By the Auspicious Hands-

Mrs. Rinkutai Bhushan Kasliwal

(President, Global Research and Education Foundation, Chandwad)

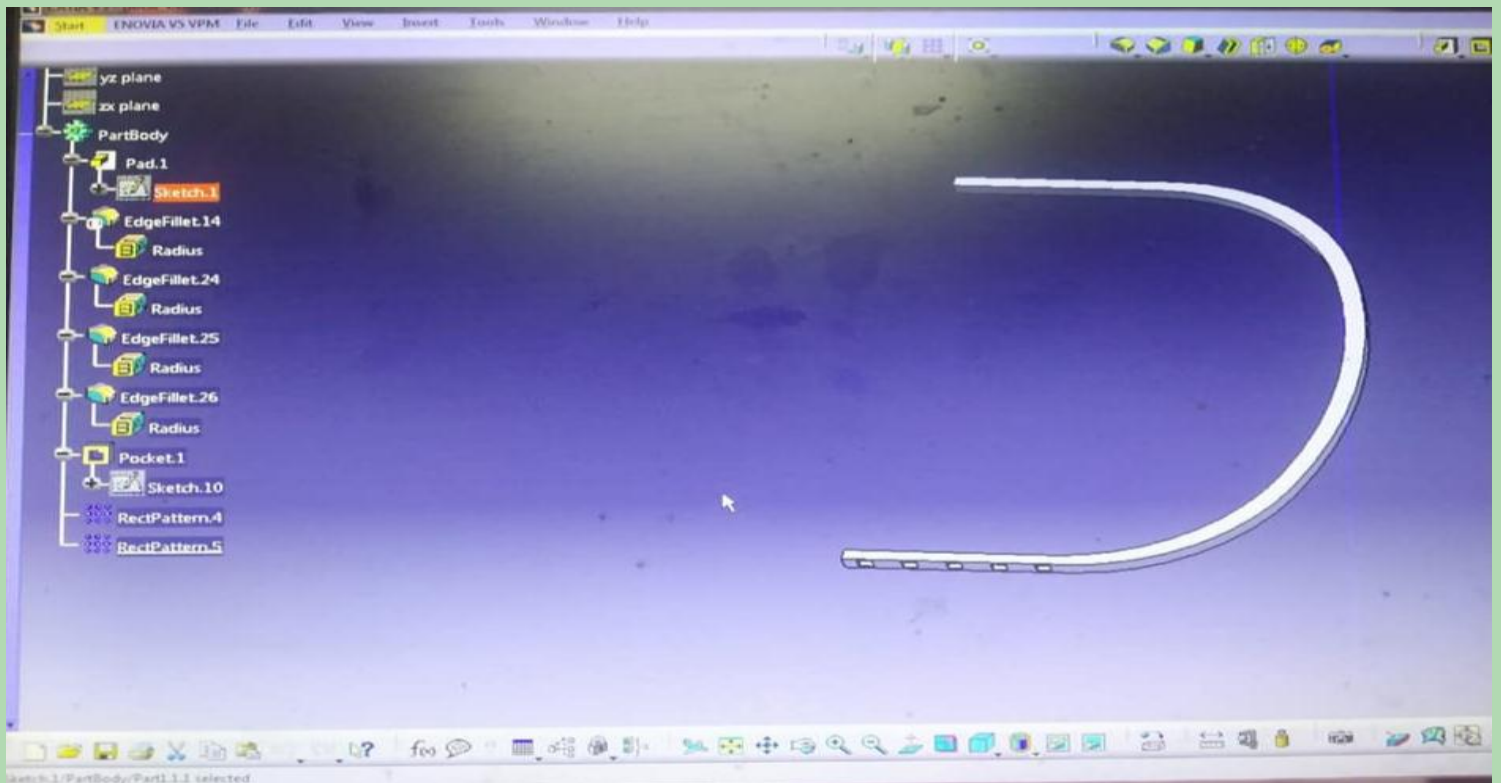
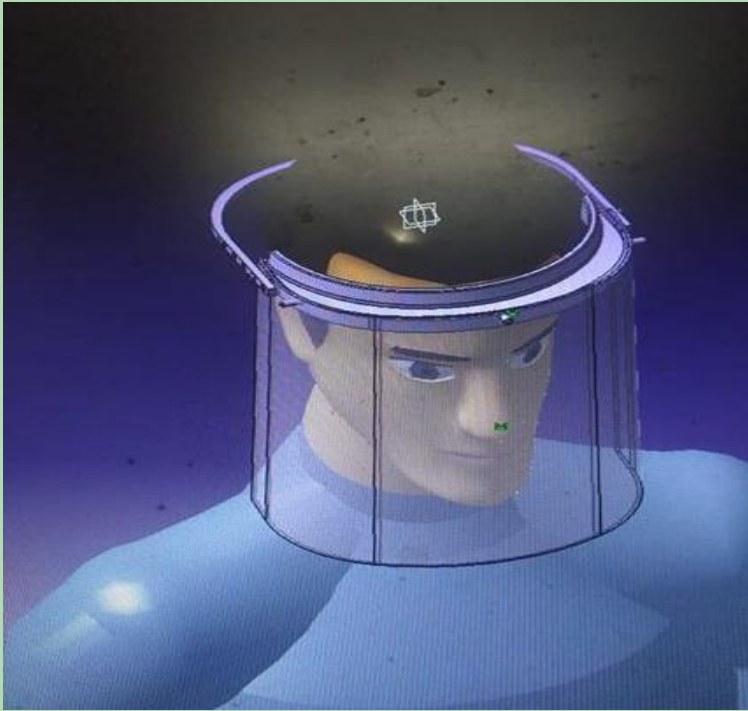
Mrs. Jayashritai Handge

(Officer, Women and Child Development Department, Chandwad)

and Others.

ACHIEVEMENTS

Mr. Amit Athawale (BE Mech). created Face Mask Design to manufacture with 3D printer.



PROJECT ACHIEVEMENTS

Smart Maize Planter Selected For 'East Zone Avishkar 2019-20



SNJB'S
LATE SAU. KANTABAI BHAVARLALI JAIN



College of Engineering

Website : <http://www.snjb.org/engineering/>

Accredited with "A" Grade By NAAC.

SMART MAIZE PLANTER



First In State
Represented
Savitribai Phule
Pune
University



Winner

2019-20 Winner
2018-19 Winner
2017-18 Runner up
2016-17 Finalist

First Place
Among
20
Universities

Department Of
Mechanical Engineering

ह्या प्रोजेक्टची निवड पश्चिम भारत अविष्कार २०१९-२० साठी देखील झाली आहे.

PROJECT ACHIEVEMENTS

Smart Maize Planter Won 1st Prize at State Level Avishkar 2019-20



SNJB'S LATE SAU. KANTABAI BHAVARLALJI JAIN
College of Engineering
Website :- <http://www.snjb.org/engineering/>

SNJB

SMART MAIZE PLANTER



Department
of Mechanical
Engineering



Winner

MINUGI

First Place
among 20
Universities

**STATE LEVEL AVISHKAR 2019-20
AT UNIVERSITY OF MUMBAI**

PROJECT ACHIEVEMENTS

Smart Maize Planter Won Prize in Festival of Future Hackathon



Innovative Project of Mechanical Department win Runner up Prize with cash Rs.75000/- in Festival of Future Hackathon.

Organised by PCMC Pune 2020 at PCMC Autocluster Exhibition centre Pune.

Category-Place making of public spaces- Innovative design for public places.

Total Reg. 700 projects all over India.

Total 40 projects for last round from all over India.

PROJECT ACHIEVEMENTS

Our 4 Teams Winning District Level Avishkar-2019 Competition and Qualified for University Level



Team Names

1. Project Title- Crop Waste Mulcher for Fruits Farming
Team Name- Agro Innovators.*
2. Project Title- Smart onion Sorting Machine
Team Name- Agro Techno Creator
3. Project Title- Smart Sugarcane Planter
Team Name- Agro Abhiyantas
4. Project Title- Smart Maize Planter
Team Name- Agroyantrikies

PROJECT ACHIEVEMENTS

Team The Spartans won 3 Awards at 'Auto India Racing Championship-4' held at Pune

SPARTANS

TEAM
THE
SPARTANS

AIRC 4

ACCELERATION Winner
CAE Winner
AESTHETICS 2nd Runner

PROJECT ACHIEVEMENTS

Chatra Vishwakarma Award-2019



The team of 'Agro Abhiyanta's' won the second prize in the competition held at AICTE Headquarters in Delhi today.

The award consists of a souvenir certificate and Rs. 31000 / -Team was felicitated by Respected Rameshji Pokhariyal Hon'ble Minister, Ministry of Human Resource Development, Government of India) and other dignitaries.

PATENTS

Patents File by Mechanical Department

Sr. No.	Name of Project	Name of Guide	Application No.
1	Smart Maize Planter	Prof. V.C. Jadhav	201921048234
2	Smart Sugarcane Planter	Prof. V.C. Jadhav	201921051245

Our Student Won Gold Medal In National Level Kick Boxing Championship



In "NASHIK OPEN KICKBOXING CHAMPIONSHIP 2020" 2 February, Sunday at Minatai Thakre stadium, Nashik.

Roshan Gavali
BE Mech Gold Medal

And He is selected for the "WAKO INDIA SOUTH-WEST ZONE KICKBOXING CHAMPIONSHIP 2020" (NATIONALS) on 7-9 February at Shirdi Ahemadnagar.

Team Coach: Rushikesh Kasliwal BE Mech

COVID-19 Awareness



Report on TCS Certification



Modules comprised in course

DAY 1	• Communicate to Impress
DAY 2	• Deliver Presentations with Impact
DAY 3	• Develop Soft Skills for the Workplace
DAY 4	• Gain Guidance from Career Gurus
DAY 5	• Write a Winning Resume and Cover Letter
DAY 6	• Stay Ahead in Group Discussions
DAY 7	• Ace Corporate Interviews
DAY 8	• Learn Corporate Etiquette
DAY 9	• Write Effective Emails
DAY 10	• Learn Corporate Telephone Etiquette
DAY 11	• Understand Accounting Fundamentals
DAY 12	• Gain Foundational Skills in IT
DAY 13	• Understand Artificial Intelligence (AI) - Part 1
DAY 14	• Understand Artificial Intelligence (AI) - Part 2
DAY 15	• Assessment

Our Total (144) students from Third year Mechanical Engineering Department have Completed “Career Edge - Knockdown the Lockdown” course

What Student Learn

- Make best use of the lockdown to sharpen soft and hard skills
- Communication, presentation and behavioural skills to create an impact in interviews and the workplace
- How to write effective resumes and ace group discussions and interviews
- Common business etiquette, both verbal and non-verbal, followed in a corporate setting
- Fundamentals of Accounting and IT
- Concept of Artificial Intelligence

REPORT ON TCS CERTIFICATION

TCS iON | Digital Learning Hub
Learn, Share, Collaborate

TATA CONSULTANCY SERVICES

"Thank you sir, for informing such a knowledgeable course to us. It's very helpful to develop a dynamic personality in my future career aspects. I really like the way TCS is teaching. Content is interesting, level and depth of information is just right. It also help me to gain different types of scenario in order to get a job opportunity that fulfils my career growth and future progress


-Sandip Sonawane"

*This is to certify that **Sandip Sonawane** has successfully completed **Career Edge - Knockdown the Lockdown** online course offered by TCS iON*

Start Date: 14 Apr 2020 | End Date: 11 May 2020

Topics:


- Communication Skills
- Presentation Skills
- Soft Skills
- Career Guidance Framework
- Resume Writing
- Group Discussion Skills
- Interview Skills
- Business Etiquette
- Effective Email Writing
- Telephone Etiquette
- Accounting Fundamentals
- IT Foundational Skills
- Overview of Artificial Intelligence* (Source: NPTEL)



Cert. No. 548-0240-1016
Valid: 11 May 2020

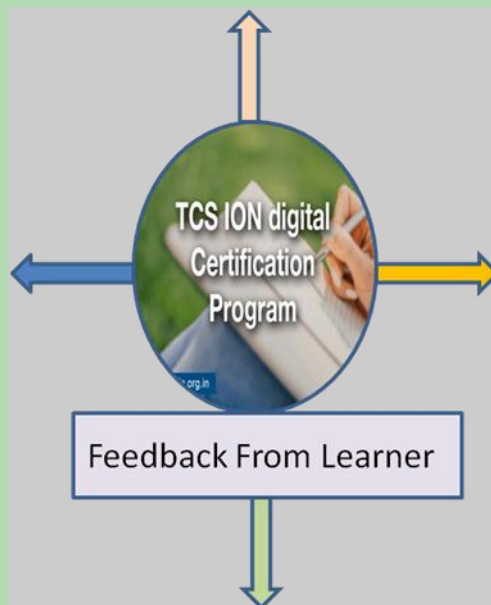
Mehul Mehta

Mehul Mehta
Global Delivery Head, TCS iON



"TCS has really planned a perfect course for students to utilize their quarantine days. It was quite informative and entertaining course. We students definitely gained a lot of knowledge related to communication and interview skills. This will surely help us in future for gaining our dream job and dream company. It just gave a perfect start for we students to be ahead of others.


-Sujata jadhav






"This course was very grateful and informative. It gave us all the basic guidance about the requirements that organizations expect. It was needed for us to learn such kind of things .Its really helpful for our future.

-Akshaya Thakare



"First it all we would like to take a moment to thank TCS for availing us wonderful courses. These courses have come as blessing in disguise in this hour of uncertainty. These courses have definitely helped us boost our knowledge and improving our personality.!

-Sarvdhanya Pawar



"This course is being taken by a reputed company TCS-iON. This course can benefit not only the students but also everyone who is trying to get a job. In this course, various job oriented syllabus has been designed. In which all the useful information from your resume wetting to interview skill is given perfectly. I think everyone who does the course will definitely benefit from it.

-Nilesh Khairnar Sir



"TCS has offered courses like introduction to soft skills, supply chain management, Resume writing and cover letter which are extremely important and they play critical role industry. This course also gave us confidence and given idea about what qualities should present in us to sustain in industry...!

-Durgesh Thakor

STUDENTS CERTIFICATION DURING LOCKDOWN

#StopTheSpread

Proper hygiene stops the spread of the virus.

Certification During Covid-19 Lockdown

Source:
World Health Organization

Workshops/seminar/webinar-00
Covid 19 Quiz-01
Quiz on NAAC/NBA/Subjects-2
CertificationCourses- 5

FE



Workshops/seminar/webinar- 41
Covid 19 Quiz-35
Quiz on NAAC/NBA/Subjects-27
CertificationCourses- 76

SE



Workshops/seminar/webinar- 66
Covid 19 Quiz-83
Quiz on NAAC/NBA/Subjects-47
CertificationCourses- 274

TE



Workshops/seminar/webinar- 16
Covid 19 Quiz-13
Quiz on NAAC/NBA/Subjects-16
CertificationCourses- 88

BE

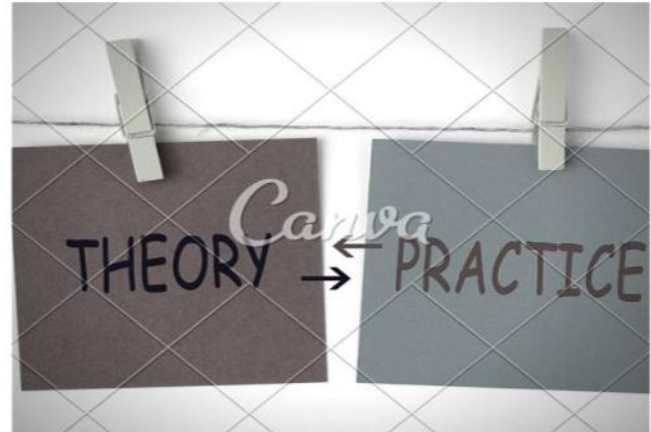


ACTIVITIES FOR STUDENTS BENEFIT DURING LOCKDOWN



SEMINAR

THEORY EXAM



ONLINE EXAM

ACTIVITIES FOR STUDENTS

QUIZ ARRANGED BY MECHANICAL DEPARTMENT DURING LOCKDOWN

QUIZ ARRANGED FOR STUDENTS



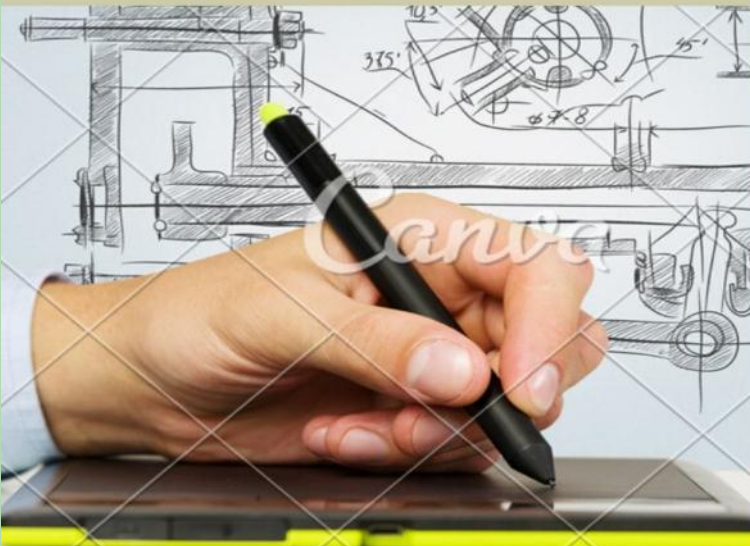
Quiz On Road Safety

Above 800+ students attended All over Maharashtra



Quiz On Jain Dharma

Above 2000+ students attended All Over India.



Quiz On Graphics

Above 600+ students attended All over Maharashtra



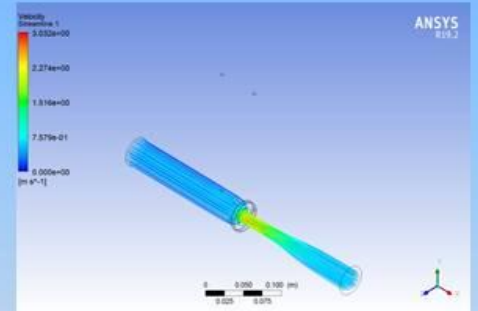
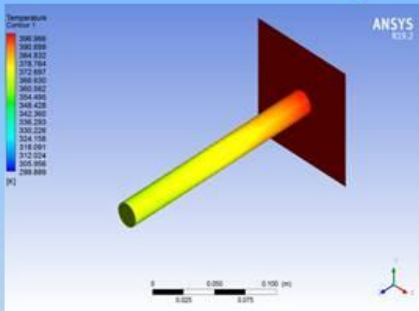
Quiz On RAC

Above 800+ students attended All over India

SHORT-TERM ONLINE COURSES ARRANGED FOR STUDENTS DURING LOCKDOWN



A One Week Student Faculty Development Workshop on Ansys Fluent Learn from Home



Session Date:- 25/05/20 to 29/05/20 at 12 pm on Youtube

By Ankit Gujrathi
Assistant Professor

Department of Mechanical Engineering
SNJB's Late Sau. Kantabai Bhavarlalji Jain
College of Engineering, Chandwad

One Week Students Development Program on Ansys Fluent Learn from Home organised by Department of Mechanical Engineering from 25/05/20 to 29/05/20 is successfully completed with around 457 Total registrations (SNJB registration=123 ,Other colleges = 334) and 353 Total certificates distributed(SNJB certificates = 107 and other colleges= 246)

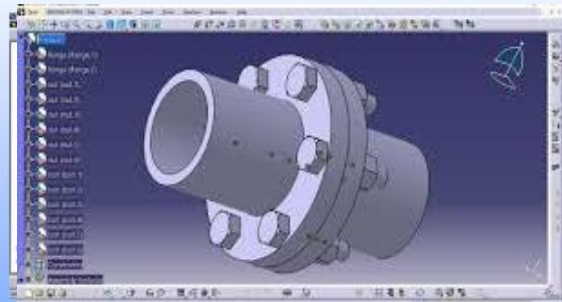
SHORT-TERM ONLINE COURSES ARRANGED FOR STUDENTS DURING LOCKDOWN



SNJB
Late Sau. K. B. Jain
College of Engineering,
Chandwad (Nashik)

SNJB's CATIA **Learner Program**

Arranged By:
Department of Mechanical Engineering



Conducted By:
Mr. Nilesh C. Khairnar

One Week Students Development Program on **CATIA VSR Software** organised by Department of Mechanical Engineering from 24/05/20 to 30/05/20 is successfully completed with around 182 Total registrations and 96 Total certificates distributed.

YOUTUBE LECTURES TAKEN BY STAFF DURING LOCKDOWN

PROF. VINAYKUMAR JADHAV
NO. OF VIDEOS – 35

PROF . ANKIT S. GUJARATHI
NO. OF VIDEOS – 26

PROF . HARSHAL S. DEORE
NO. OF VIDEOS – 06

PROF. DR. RAJENDRA PATIL
NO. OF VIDEOS – 05

PROF . RAHULKUMAR SONAR
NO. OF VIDEOS – 05

**YOUTUBE LECTURES TAKEN
BY STAFF DURING LOCKDOWN**

PROF . DIPAK H. DAREKAR

NO. OF VIDEOS – 05

PROF. RAHUL N. CHANDORE

NO. OF VIDEOS – 04

PROF . SUDHIR U. PATIL

NO. OF VIDEOS – 03

PROF . DIPAK D. SANCHETI

NO. OF VIDEOS – 03

STAFF CERTIFICATION DURING LOCKDOWN

**Workshop / Webinar / Hands on Session 1
day or few hours**

No. OF CERTIFICATION— 161

Certification Course

(like TCS/ TATA/Solo learn/ Bit Degree etc)

No. OF CERTIFICATION— 105

**Quiz on other Topic Such as
NBA awareness/ NAAC etc**

No. OF QUIZ – 108

STAFF CERTIFICATION DURING LOCKDOWN

FDP Attended By Staff

No. OF FDP – 97

Quiz on Covid 19

No. OF QUIZ – 59

Any Other Certification

No. OF CERTIFICATION – 63

STUDENT'S ALUMNI MEET 2019-20 DURING LOCKDOWN





Shri. Neminath Jain Brahmacharyashram
 Alumni Association of
 Late Sau. Kantabai Bhavarlalji Jain College of Engineering, Chandwad
 Accredited with "A Grade" By NAAC
 Department of Mechanical Cordially Invites You for
RETRACE_2020
 On
 31st May 2020, 10am on ZOOM
 RSVP



Prof. Y.S. Kulkarni
Alumni Coordinator

Prof. R.R. Bhandari
College Alumni Coordinator

Dr. S.D. Sancheti
HOD Mech. Department

Dr. M.D. Kokate
Principal

10:37

Close **Participants (98)**

D	dc5ffcd		
DY	Dinanath Yeole		
	Dinesh Suryawanshi		
	Dnyanraj Tadge		
DK	Dr.Mahadeo Kokate, Principal		
GJ	Ganesh Jadhav		
GS	Ganesh Suryawanshi		
HD	Harshal Deore		
HN	harshal Nahar		
HP	Hemant patil 2018-19		
H	Hiren 's iPhone		
	Hitesh Jain		
HA	Hrishikesh A. Dhandha		

Invite Report Mute All Unmute All

10:37

Close **Participants (98)**

R	Redmi		
RB	Rohit Bachhav		
	Rushabh Chopda		
RR	Rushikesh Rasal		
SI	Sachin Ingale		
SM	Sachin Mahale		
SP	Sagar Pardeshi		
	Sagar Shete		
SP	Sameer Patil		
SH	Sanket Hire		
	Shailesh Parkhe SP		
	Shailesh Pawar		
	SHAILESH VISPUTE		

Invite Report Mute All Unmute All

चांदवडच्या अभियांत्रिकी विद्यार्थ्यांनी बनविले स्वयंचलित मका पेरणी यंत्र

राज्यस्तरीय
स्पर्धेत प्रथम;
१२ मजुरांची
होणार कामे

महेंद्र गुजराथी | चांदवड

येथील श्री नेमिनाथ जैन ब्रह्मचर्याश्रम संचालित अभियांत्रिकी महाविद्यालयाच्या विद्यार्थ्यांनी स्वयंचलित मका पेरणी यंत्र बनविले. या यंत्रामुळे १० ते १२ मजुरांची कामे होऊ शकतात. त्यामुळे प्रति हेक्टरी येणारा १२ हजारांचा खर्च ३ ते ४ हजार रुपयांवर येणार आहे. यासाठी ३५ हजारांचा खर्च आला. या प्रोजेक्टने राज्यस्तरीय अविष्कार स्पर्धेत प्रथम पारितोषिक पटकावत वेस्ट झोन इंडिया अविष्कार स्पर्धेसाठी निवड झाली आहे.

शेती व्यवसायातही नवनवीन तंत्रज्ञान विकसित व्हावे यासाठी चांदवड अभियांत्रिकीच्या सागर ठाकरे, निखिल सहाणे, कृष्णा खंगाळ, अमोल आहरे, प्रियंका निफाडे व प्राची खिंवसरा यांनी यंत्राची निर्मिती केली. हे यंत्र मका, सोयाबीन, मूग, हरभरा, तुरदाळ, भुईमूग या पिकांची पेरणी करण्यासाठी बनवण्यात



आले आहे. याच्या सहाय्याने सरी पाडणे, खत टाकणे, माती बुजवणे व पेरणी करता येते. यासाठी न्यूमॅटिक व्हॅक्युम जनरेटर तंत्रज्ञानाचा उपयोग केला आहे. सेन्सरच्या मदतीने मूलद्रव्य व अन्न घटकांची चाचणी होऊ शकते. खतांची मात्रा ठरवू शकतात. मिनीची सुपिकता टिकविण्यास मदत होते. विद्यार्थ्यांना प्रा. विनयकुमार जाधव यांचे मार्गदर्शन लाभले. संस्थेच्या विश्वस्त समितीचे अध्यक्ष बेबीलाल संचेती, प्रबंध समितीचे अध्यक्ष अजितकुमार सुराणा, समन्वयक दिनेशकुमार लोढा, झुंबरलाल

शेतीक्षेत्रात योगदानाचा मानस

महाविद्यालयातील विद्यार्थी ग्रामीण भागातील असल्यामुळे शेतकऱ्यांच्या गरजा बघून तंत्रज्ञान विकसित केले. ऊस, कांदा पिकांसाठी शेती उपयुक्त प्रकल्प विकसित केले आहेत. शेतीत योगदानाचा संस्थेचा मानस आहे.-प्रा.व्ही.सी. जाधव, प्राध्यापक

भंडारी, सुनीलकुमार चोपडा, प्राचार्य डॉ. एम. डी. कोकाटे, विभागप्रमुख डॉ. एस. डी. संचेती यांनी विद्यार्थ्यांचे अभिनंदन केले.



चांदवड अभियांत्रिकीचा स्मार्ट मेझ प्लांटर प्रकल्प पुणे विद्यापीठात प्रथम

चांदवड : पुढारी वृत्तसेवा

येथील नॅक मानांकित 'अ' दर्जाच्या श्री नेमीनाथ जैन ब्रह्मचर्याश्रम संचालित कांताबाई भवरलालजी जैन अभियांत्रिकी महाविद्यालयातील विद्यार्थ्यांनी बनविलेल्या स्मार्ट मेझ प्लांटर या प्रकल्पाने सावित्रीबाई फुले पुणे विद्यापीठातर्फे घेण्यात आलेल्या राज्यस्तरीय आविष्कार स्पर्धेत प्रथम क्रमांक पटकावल्याची माहिती प्राचार्य डॉ. एम. डी. कोकाटे यांनी दिली.

आविष्कार स्पर्धेच्या माध्यमातून विद्यार्थ्यांच्या नवकल्पनांना, नवसंशोधनांना वाव दिला जातो व विद्यार्थ्यांसाठी एक चांगले व्यासपीठ तयार करून दिले जाते. मोठ्या प्रतिष्ठेची मानल्या जाणाऱ्या या स्पर्धेत विद्यापीठातर्फे आंतरमहाविद्यालयीन

स्पर्धा घेऊन विद्यार्थ्यांनी बनविलेल्या नवनवीन प्रकल्पांची निवड केली जाते. निवड झालेल्या प्रकल्पांची विद्यापीठस्तरीय स्पर्धा होते. विद्यापीठस्तरीय स्पर्धेत निवडून आलेले विद्यार्थी राज्यस्तरीय स्पर्धेसाठी पुढे जातात. त्यानंतर वेस्ट झोन अन्वेषण या स्पर्धेसाठी विद्यार्थ्यांची निवड करण्यात येते. शेवटी राष्ट्रीय स्तरावर ही स्पर्धा घेण्यात येते.

या स्पर्धेमध्ये विजयी झालेल्या प्रकल्पांना उद्योग उभारण्यासाठी मोठ्या प्रमाणात आर्थिक सहाय्य करण्यात येते. सलग चौथ्या वर्षी चांदवड अभियांत्रिकी महाविद्यालयाने राज्यस्तरीय आविष्कार स्पर्धेत पुणे विद्यापीठाचे प्रतिनिधित्व केले आहे. त्यात दोन वेळा विजेतेपद, एकदा उपविजेतेपद पटकाविल्याचा बहुमान

“ ग्रामीण भागाच्या विकासाकरिता उपयुक्त तंत्रज्ञान विकसित करण्याचे आमचे उद्दिष्ट या प्रकारच्या संशोधनात्मक प्रकल्पांमुळे पूर्णत्वास जाईल याचा आनंद होत आहे.

- डॉ. एम. डी. कोकाटे,
प्राचार्य जैन अभियांत्रिकी
महाविद्यालय

घेतला आहे. याबद्दल संस्थेचे विश्वस्त समितीचे अध्यक्ष बेबीलाल संचेती, प्रबंध समितीचे अध्यक्ष अजित सुराणा, अभियांत्रिकी महाविद्यालयाचे समन्वयक दिनेश लोढा, झुंबरलाल भंडारी, सुनील चोपडा, प्राचार्य डॉ. एम. डी. कोकाटे यांनी विद्यार्थ्यांचे अभिनंदन केले.



चांदवड : जैन अभियांत्रिकीच्या स्मार्ट मेझ प्लांटरची वेस्ट झोन अन्वेषणसाठी निवड झाल्याबद्दल यशस्वी विद्यार्थ्यांचा सत्कार करताना प्राचार्य डॉ. व्ही. बी. गायकवाड. समवेत संस्थेच्या विश्वस्त व प्रबंध समितीचे पदाधिकारी, प्राचार्य व प्राध्यापक. (छाया : सुनील थोरे)

सकाळ

शेतकऱ्यांच्या लेकरांचे स्मार्ट मका पेरणीयंत्र



चांदवड अभियांत्रिकी महाविद्यालयाचा आविष्कार

हर्षल गांगुर्डे : सकाळ वृत्तसेवा

गणूर, ता. १७ : मोटेपासून मोटारीपर्यंत, लोखंडापासून तर ट्रॅक्टर नांगरापर्यंत, पारंपरिकपासून तर शेडनेटपर्यंत, गावराणपासून हायब्रिडपर्यंत शेतीने अनेक बदल स्वीकारले. हे शक्य झाले तंत्रज्ञानामुळे. बदलत्या दुनियेबरोबर शेतीही स्मार्ट होतेय. असाच स्मार्ट शोध चांदवड अभियांत्रिकी महाविद्यालयातील शेतकऱ्यांच्या लेकरांनी लावला असून, त्यांनी स्मार्ट मका पेरणीयंत्र तयार केले आहे.

मुंबईला झालेल्या राज्यस्तरीय



चांदवड : अभियांत्रिकी महाविद्यालयातील विद्यार्थ्यांनी तयार केलेले स्मार्ट मका पेरणीयंत्र.

आविष्कार स्पर्धेत यंत्राने प्रथम पारितोषिक मिळविले. वेस्ट झोन इंडिया आविष्कार स्पर्धेसाठी यंत्राची निवड झाली आहे. यंत्रनिर्मितीत सागर ठाकरे, दिनकर सहाने,



मेक इन इंडिया चळवळीला बळ देण्यासाठी विद्यार्थ्यांनी शेतकऱ्यांसाठी अतिशय कमी खर्चात तंत्रज्ञान विकसित केले आहे. याचा उपयोग करून शेतकरी कमीत कमी खर्चात जास्तीत उत्पन्न घेऊ शकतात. शासन व उद्योजकांची मदत घेऊन हे प्रकल्प जास्तीत जास्त शेतकऱ्यांपर्यंत पोचविण्याचा आमचा मानस आहे.

- दिनेश लोढा,

समन्वयक, अभियांत्रिकी विद्यालय, चांदवड

कृष्णा खंगळ, अमोल आहेर, प्रियंका निफाडे व प्राची खिचंसरा यांनी योगदान दिले. त्यांना प्रा. विनयकुमार जाधव यांचे मार्गदर्शन लाभले.

हे यंत्र मका, सोयाबीन, मूग, हरभरा,

तूरडाळ, भुईमूग अशा विविध पिकांच्या पेरणीसाठी बनविले आहे. यंत्राच्या सहाय्याने सरी पाडणे, खत टाकणे, माती बुजविणे व पेरणे या प्रकारची पान ४ वर ➤

Nashik, Malegaon
18/02/2020 Page No. 1

लोकमत

यंत्र अभियांत्रिकी विभागाचा माजी विद्यार्थी मेळावा

लोकमत न्यूज नेटवर्क

चांदवड : येथील नेमिनाथ जैन ब्रह्मचर्याश्रम संचलित स्व. कांताबाई भवरलालजी जैन अभियांत्रिकी महाविद्यालयातील यंत्र अभियांत्रिकी विभागाचा माजी विद्यार्थी मेळावा उत्साहात संपन्न झाला, अशी माहिती प्राचार्य डॉ. एम. डी. कोकाटे यांनी दिली. या मेळाव्याचे वैशिष्ट्य म्हणजे तंत्रज्ञानाचा वापर करून मेळावा घेण्यात आला.

या मेळाव्यासाठी महाविद्यालयाच्या माजी विद्यार्थ्यांचा प्रतिसाद लाभला. मेळाव्यामध्ये आलेले माजी विद्यार्थी वैभव कासलीवाल (न्यू प्रोग्रॅम लॉच मॅनेजर, फोर्ड इंडिया), सुरेश चव्हाण (सीनिअर एक्झिक्युटिव्ह जेबीएम ग्रुप), हर्षल नहार (टेक्निकल लिड, टी.सी.एस), दीपक वर्पे (सीईओ थेमो एफशिअंट इंजिनिअर्स), हिरेन पटेल

(ओनरएफ.पॉइंट, सुरत), ललित महाले (डायरेक्टर, ओमसाई प्लास्ट), यासह शामिल ढोले पाटील, वैभव क्षत्रिय, वृषभ पोफळी, श्रेयस पोफळे, नितीन आहिरे, हितेश जैन आदींनी जुन्या आळवणींना उजाळा दिला व त्याचबरोबर औद्योगिक क्षेत्रात विद्यार्थ्यांनी यशस्वी होण्याकरिता कोणकोणते तंत्रज्ञान आत्मसात केले पाहिजे याबद्दल माहिती दिली.

यंत्र अभियांत्रिकी विभाग प्रमुख डॉ. एस. डी. संचेती यांनी विद्यार्थ्यांना चित्रफितीमार्फत महाविद्यालयाचे दर्शन घडविले. कार्यक्रमास विश्वस्त समितीचे अध्यक्ष बेबीलाल संचेती, विश्वस्त समितीचे उपाध्यक्ष व समन्वयक दिनेशकुमार लोढा, झुंबरलाल भंडारी, सुनीलकुमार चोपडा उपस्थित होते. कार्यक्रमाचे आयोजन प्रा. योगेश कुलकर्णी यांनी केले. सूत्रसंचालन प्रा. प्रद्युम्न बोरा यांनी केले. (वा.प्र.)

Hello Nashik Gramin
Page No. 2 Jun 03, 2020
Powered by: erelego.com



दिव्य मराठी नाशिक जिल्हा

नाशिक, गुरुवार, २० फेब्रुवारी २०२० | माघ कृ. १२, शके १९४९

दिव्य मराठी विशेष • प्राचार्य डॉ. गायकवाड यांचे मत, श्री नेमिनाथ जैन संस्थेत पदवीग्रहण समारंभ विद्यार्थ्यांना संस्कारित करणारे शिक्षण गरजेचे

प्रतिनिधी | चांदवड

विद्यार्थ्यांची अभिरूची लक्षात घेऊन त्यांना व्यवहाराबरोबरच व्यक्तिगत जीवनात नैतिक संस्कारित करणारे शिक्षण आवश्यक आहे. आज आपण प्रगत आणि उच्चविद्याविभूषित होत आहोत, मात्र त्याचवेळी बदलत्या सर्व सामाजिक, सांस्कृतिक, शैक्षणिक मूल्य घसरण्याच्या बाबतीत आम्ही बधीर होत आहोत ही चिंताजनक बाब आहे. त्यामुळे आमच्याकडे या पारंपरिक शिक्षणात संस्काराच्या बाबी होत्या. त्या लक्षात घेणे गरजेचे असल्याचे मत नाशिक येथील के.टी.एच.एम. महाविद्यालयाचे प्राचार्य डॉ. व्ही. बी. गायकवाड व्यक्त केले.

येथील श्री नेमिनाथ जैन ब्रह्मचर्याश्रम संस्थेत कला, वाणिज्य व विज्ञान महाविद्यालय, स्व. सौ. कांताबाई

भवरलालजी जैन अभियांत्रिकी महाविद्यालय व श्रीमान सुरेशदादा जैन औषधनिर्माणशास्त्र महाविद्यालय या तीन महाविद्यालयांचा संयुक्त पदवीग्रहण समारंभ नुकताच पार पडला.

प्राचार्य डॉ. गायकवाड यांच्याहस्ते दीपप्रज्वलन व प्रतिमापूजन करण्यात आले. कार्यक्रमाच्या अध्यक्षस्थानी विश्वस्त समितीचे अध्यक्ष बेबीलाल संचेती होते. यानंतर अध्यक्ष संचेती यांनी विचार व्यक्त केले. परीक्षा विभागप्रमुख प्रा. मयूर पाटील, प्रा. मनोज महाजन, प्रा. एस. डी. संचेती यांनी विद्यार्थ्यांच्या पदवीग्रहण नावांचे वाचन केले. विद्यार्थ्यांना पदवी प्रमाणपत्रांचे वितरण करण्यात आले. प्रास्ताविक संस्थेचे प्रशासकीय अधिकारी प्रमोद गाळणकर यांनी केले. सूत्रसंचालन व समारोप प्रा. डॉ. तुषार चांदवडकर यांनी केला.



चांदवड येथील श्री नेमिनाथ जैन ब्रह्मचर्याश्रम संस्थेत पदवीग्रहण समारंभात विद्यार्थ्यांना पदवी प्रमाणपत्रांचे वितरण करताना संस्थेचे पदाधिकारी व मान्यवर.

दिव्य मराठी

28-Feb-2020

नाशिक जिल्हा Page 15

दिव्य मराठी विशेष • चांदवड एसएनजेबी अभियांत्रिकीच्या विद्यार्थ्यांची उज्वल यशाची परंपरा कायम, विद्यार्थ्यांचा गौरव छात्र विश्वकर्मा अवॉर्ड स्पर्धेत द्वितीय पारितोषिक

प्रतिनिधी | चांदवड

येथील श्री नेमिनाथ जैन ब्रह्मचर्याश्रम संचालित स्व. सौ. कांताबाई भवरलालजी जैन अभियांत्रिकी महाविद्यालयातील यंत्रअभियांत्रिकी विभागातील विद्यार्थ्यांच्या 'अंग्रे अभियंता' या संघाने दिल्ली येथील एआयसीटीइच्या मुख्यालयात घेण्यात आलेल्या 'छात्र विश्वकर्मा अवॉर्ड्स २०१९' या राष्ट्रीय स्पर्धेत द्वितीय क्रमांकाचे पारितोषिक पटकवाल्याची माहिती प्राचार्य डॉ. महादेव कोकाटे यांनी दिली.

या संघास केंद्रीय मंत्री रमेश पोखरीयाल (मानव संसाधन विकास मंत्रालय, भारत सरकार) यांच्या हस्ते पारितोषिक देऊन सन्मानित करण्यात आले.



छात्र विश्वकर्मा अवॉर्ड्स २०१९ या राष्ट्रीय स्पर्धेतील द्वितीय क्रमांकाचे पारितोषिक केंद्रीय मंत्री रमेश पोखरीयाल (मानव संसाधन विकास मंत्रालय, भारत सरकार) यांच्या हस्ते स्वीकारताना चांदवड येथील एसएनजेबी अभियांत्रिकीचे विद्यार्थी व प्राध्यापक.

स्मृतिचिन्ह, प्रमाणपत्र व रोख ३१ हजार रुपये असे पुरस्काराचे स्वरूप आहे. ही स्पर्धा एआयसीटीइ, दिल्ली व मानव संसाधन विकास मंत्रालय, भारत सरकार यांच्या

संयुक्त विद्यमाने दरवर्षी घेण्यात येते. यावेळी 'छात्र विश्वकर्मा अवॉर्ड्स २०१९' साठी 'हाऊ टू एनहान्स द इन्कम ऑफ व्हिलेज' हा विषय निवडण्यात आला होता. या

स्पर्धेसाठी संपूर्ण पश्चिम भारतातून केवळ १८ प्रकल्पांची निवड करण्यात आली होती. त्यात दोन प्रकल्प हे चांदवड अभियांत्रिकीचे होते. स्पर्धेत विजयी झालेल्या

संस्थेसाठी अभिमानाची बाब

■ संपूर्ण महाराष्ट्रातून चांदवड महाविद्यालयातील दोन प्रकल्प एआयसीटीइ छात्र विश्वकर्मा अवॉर्ड्स २०१९ या अंतिम स्पर्धेसाठी निवडण्यात आले होते. त्यातील एका प्रकल्पास राष्ट्रीयस्तरावरील द्वितीय पारितोषिक मिळाले ही संस्थेसाठी अभिमानाची बाब आहे. - **झुंबरलाल भंडारी**, समन्वयक, जैन अभियांत्रिकी महाविद्यालय

विद्यार्थ्यांच्या अंग्रे अभियंताज या संघाने 'स्मार्ट शुगरकेन प्लॉन्ट' हा प्रकल्प सादर केला होता. या संघात नीलेश सयाजी लगड, अंजली मनोज कोतवाल, सतीश बाळासाहेब

गांगुडे, नंदकिशोर कैलास भवर या विद्यार्थ्यांचा समावेश होता. या विद्यार्थ्यांना प्रा. व्ही. सी. जाधव यांचे मार्गदर्शन लाभले. समन्वयक म्हणून प्रा. आर. एस. चौधरी व प्रा. एस. बी. अंभोरे यांनी सहकार्य केले. याच स्पर्धेत महाविद्यालयातील 'अंग्रे इनोव्हेटर्स' हा संघही सहभागी झाला होता. त्यांनीही स्पर्धेत उल्लेखनीय कामगिरी केली. स्पर्धेतील यशस्वी विद्यार्थ्यांचे बेबीलाल संचेती, अजितकुमार सुराणा, दिनेशकुमार लोढा, झुंबरलाल भंडारी, सुनीलकुमार चोपडा, प्राचार्य डॉ. एम. डी. कोकाटे, यंत्र अभियांत्रिकी विभागप्रमुख डॉ. एस. डी. संचेती व सर्व विभागप्रमुखांनी अभिनंदन केले व भावी वाटचालीस शुभेच्छा दिल्या.

दिव्य मराठी विशेष • स्व. कांताबाई भवरलालजी जैन अभियांत्रिकी महाविद्यालयातील प्रकल्प राज्यस्तरीय आविष्कार स्पर्धेत प्रथम

चांदवडच्या 'स्मार्ट मेझ प्लॉटर'ची वेस्ट झोन अन्वेषणसाठी निवड

प्रतिनिधी | चांदवड

येथील श्री नेमिनाथ जैन ब्रह्मचर्याश्रम संचालित स्व. कांताबाई भवरलालजी जैन अभियांत्रिकी महाविद्यालयातील विद्यार्थ्यांनी बनविलेल्या 'स्मार्ट मेझ प्लॉटर' या प्रकल्पाने सावित्रीबाई फुले पुणे विद्यापीठातर्फे घेण्यात आलेल्या राज्यस्तरीय आविष्कार स्पर्धेत प्रथम क्रमांक पटकावल्याची माहिती महाविद्यालयाचे प्राचार्य डॉ. एम. डी. कोकाटे यांनी दिली. या प्रकल्पाची वेस्ट झोन अन्वेषण या स्पर्धेसाठी निवड झाली आहे.

अविष्कार स्पर्धेच्या माध्यमातून विद्यार्थ्यांच्या नवकल्पनांना, नवसंशोधनांना वाव दिला जातो.

विद्यार्थ्यांसाठी एक चांगले व्यासपीठ तयार करून दिले जाते. मोठ्या प्रतियेची मानल्या जाणाऱ्या या स्पर्धेत विद्यापीठातर्फे आंतरमहाविद्यालयीन स्पर्धा घेऊन विद्यार्थ्यांनी बनविलेल्या नवनवीन प्रकल्पांची निवड केली जाते. निवड झालेल्या प्रकल्पांची विद्यापीठस्तरीय स्पर्धा होते. विद्यापीठस्तरीय स्पर्धेत निवडून आलेले विद्यार्थी हे राज्यस्तरीय स्पर्धेसाठी पुढे जातात. त्यानंतर वेस्ट झोन अन्वेषण या स्पर्धेसाठी विद्यार्थ्यांची निवड करण्यात येते. त्यानंतर शेवटी राष्ट्रीयस्तरीय ही स्पर्धा घेण्यात येते.

या स्पर्धेत विजयी झालेल्या प्रकल्पांना उद्योग उभाण्यासाठी

मोठ्या प्रमाणात आर्थिक सहाय्य करण्यात येते. सलग चौथ्या वर्षी चांदवड अभियांत्रिकी महाविद्यालयाने राज्यस्तरीय आविष्कार स्पर्धेत पुणे विद्यापीठाचे प्रतिनिधित्व केले आहे. त्यात दोन वेळेस विजेतेपद तर एकवेळेस उपविजेतेपद पटकाविल्याचा बहुमान प्राप्त केला आहे.

या यशाबद्दल यशस्वी विद्यार्थ्यांचे संस्थेच्या विश्वस्त समितीचे अध्यक्ष बेबीलाल संचेती, अजितकुमार सुराणा, समन्वयक दिनेशकुमार लोढा, झुंबरलाल भंडारी, सुनीलकुमार चोपडा, प्राचार्य डॉ. एम. डी. कोकाटे, विभागप्रमुख व प्राध्यापकांनी अभिनंदन केले.



चांदवड अभियांत्रिकीच्या स्मार्ट मेझ प्लॉटरची वेस्ट झोन अन्वेषणसाठी निवड झाल्याबद्दल यशस्वी विद्यार्थ्यांचा सत्कार करताना केटीएचएम कॉलेजचे प्राचार्य डॉ. व्ही. बी. गावकवाड, संस्थेच्या विश्वस्त व प्रबंध समितीचे पदाधिकारी, प्राचार्य व प्राध्यापक.

तंत्रज्ञान विकसित करण्याचे उद्दिष्ट



प्राणीय भागाच्या विकासासाठी उपयुक्त तंत्रज्ञान विकसित करण्याचे आमचे उद्दिष्ट या प्रकारच्या संशोधनात्मक प्रकल्पामुळे पूर्णत्वास जाईल याचा आनंद होत आहे.
- डॉ. एम. डी. कोकाटे, प्राचार्य, अभियांत्रिकी महाविद्यालय, चांदवड

दिव्य मराठी विशेष • प्रकल्प सादरीकरण स्पर्धेत जैन अभियांत्रिकीच्या विद्यार्थ्यांचे यश

'स्मार्ट ओनियन सॉर्टर'ला द्वितीय पारितोषिक

प्रतिनिधी | चांदवड

कंप्युटर सोसायटी ऑफ इंडिया, नाशिक चाप्टर व डिजिटल इम्पॅक्ट स्क्वेअर (इनिशिएटिव्ह ऑफ टाटा कन्सल्टन्सी सर्व्हिसेस) यांच्या संयुक्त विद्यमाने नाशिक येथे आयोजित प्रकल्प सादरीकरण स्पर्धा-२०२० मध्ये येथील श्री नेमिनाथ जैन ब्रह्मचर्याश्रम संचालित स्व. सौ. कांताबाई भवरलाल जैन अभियांत्रिकी महाविद्यालयातील विद्यार्थ्यांनी बनवलेल्या 'स्मार्ट ओनियन सॉर्टर' या प्रकल्पाने द्वितीय पारितोषिक पटकावल्याची माहिती महाविद्यालयाचे प्राचार्य डॉ. एम. डी. कोकाटे यांनी दिली.

सी.एस.आय. चॅप्टर नाशिक दरवर्षी 'यंग इनोव्हेटर्स'ला त्यांची प्रतिभा दाखवण्यासाठी ही स्पर्धा भरवत असते. या स्पर्धेत जळगाव, नाशिक, धुळे,



चांदवड अभियांत्रिकीच्या विद्यार्थ्यांनी बनविलेले 'स्मार्ट ओनियन सॉर्टर' मशीन.

अहमदनगर, नंदुरबार या ५ जिल्ह्यातील विद्यार्थ्यांनी सहभाग नोंदवला होता. स्पर्धेत आय.ओ.टी., हाडुप, कृषी ऑटोमेशन, नेटवर्किंग, सायबर सिक्युरिटी, वॉटर ट्रांसपोर्टेशन अशा विविध विषयांवर समाजोपयोगी प्रकल्प सादरीकरण करण्यात आले. या प्रकल्पात महाविद्यालयातील विकी पगार, धनश्री भामरे, अतुल पाटील, निखील मोरे, भूषण चौधरी, कुणाल पाटील, प्राची खिंबसरा,

निखिल सावंत, श्रद्धा भगुरे या विद्यार्थ्यांचा समावेश होता. या विद्यार्थ्यांना प्राचार्य डॉ. एम. डी. कोकाटे, प्रा. के. एम. संघवी, प्रा. एम. ए. मेचकुल, प्रा. आर. एस. चौधरी, प्रा. डी. जे. पवार यांचे मार्गदर्शन लाभले. या यशाबद्दल विद्यार्थ्यांचे बेबीलाल संचेती, दिनेशकुमार लोढा, झुंबरलाल भंडारी, सुनीलकुमार चोपडा, प्राचार्य डॉ. एम. डी. कोकाटे व विभागप्रमुखांनी कौतूक केले.

कांदाच्या वर्गीकरणासाठी मशीन उपयुक्त

कृषी उद्योगात भरभराटी आणण्यासाठी तंत्रज्ञानाचा विकास करणे आवश्यक आहे. हे मशीन आपल्याला सडलेला कांदा व चांगला कांदा वेगळा करण्यास खूप उपयुक्त आहे. कांदातून निघणारा वास व त्याच्या बाहेरील आवरणामुळे कांदाचे वर्गीकरण केले जाते. याने कामगारांचा भासणारा तुटवडा, वेळ व पैसांची बचत होणार असल्याने हे मशीन शेतकऱ्यांसाठी उपयुक्त आहे.
- डॉ. संतोष संचेती, विभागप्रमुख, मेकॅनिकल इंजिनिअरिंग, अभियांत्रिकी महाविद्यालय, चांदवड

सकाळ

एसएनजेबी अभियांत्रिकीचा स्मार्ट शुगर केन प्लॉट द्वितीय छात्र विश्वकर्मा अवॉर्ड राष्ट्रीय स्पर्धेत उज्वल यश

सकाळ वृत्तसेवा

गणूर, ता. २८ : चांदवड येथील श्री नेमिनाथ जैन ब्रह्मचर्याश्रम संचलित स्व. सौ. कांताबाई जैन अभियांत्रिकी महाविद्यालयातील विद्यार्थ्यांच्या अँग्रेजी अभियंता या यंत्र अभियांत्रिकी विभागाच्या संघाने दिल्ली येथील एआयसीटीईच्या मुख्यालयात झालेल्या छात्र विश्वकर्मा अवॉर्ड्स २०१९ राष्ट्रीय स्पर्धेत द्वितीय पारितोषिक पटकाविले.

मानव संसाधन विकासमंत्री रमेश पोखरीयाल यांच्या हस्ते विद्यार्थ्यांना स्मृतिचिन्ह, प्रमाणपत्र व रोख ३१ हजार रुपये देऊन सन्मानित केल्याची माहिती प्राचार्य डॉ. एम. डी. कोकाटे यांनी दिली. ही स्पर्धा एआयसीटीई, दिल्ली व मानव संसाधन विकास मंत्रालय, भारत सरकार यांच्याकडून दरवर्षी होते. या वेळी छात्र विश्वकर्मा अवॉर्ड्स २०१९ साठी 'हाऊ टू एनहांस द इन्कम ऑफ व्हीलेज' हा विषय निवडला होता. स्पर्धेसाठी संपूर्ण पश्चिम भारतातून फक्त १८ प्रकल्पांची निवड झाली होती. त्यापैकी दोन प्रकल्प हे चांदवड अभियांत्रिकीचे



दिल्ली : छात्र विश्वकर्मा अवॉर्ड्स २०१९ या राष्ट्रीय स्पर्धेत द्वितीय क्रमांकाचे पारितोषिक मानव संसाधन विकासमंत्री रमेश पोखरीयाल यांच्या हस्ते स्वीकारताना चांदवड येथील एसएनजेबी अभियांत्रिकीचे विद्यार्थी व प्राध्यापक आदी.

होते. स्पर्धेमध्ये विजयी विद्यार्थ्यांच्या अँग्रेजी अभियंता या संघाने स्मार्ट शुगर केन प्लॉटर हा प्रकल्प सादर केला. यामध्ये नीलेश लगड, अंजली कोतवाल, सतीश गांगुडे, नंदकिशोर भवर या विद्यार्थ्यांचा समावेश होता. विद्यार्थ्यांना व्ही. सी. जाधव यांचे मार्गदर्शन लाभले. समन्वयक म्हणून आर. एस. चौधरी व एस. बी. अंभोरे यांनी सहकार्य केले.

स्पर्धेत महाविद्यालयातील अजून एक संघ अँग्रेजी इन्व्हेटसिने सहभागी होत उल्लेखनीय कामगिरी केली. यशस्वी विद्यार्थ्यांचे संस्थेचे



समन्वयक एसएनजेबी अभियांत्रिकी महाविद्यालय, चांदवड

विश्वस्त समिती अध्यक्ष बेबीलाल संचेती, प्रबंध समिती अध्यक्ष अजितकुमार सुराणा, विश्वस्त समितीचे उपाध्यक्ष व अभियांत्रिकी महाविद्यालयाचे समन्वयक

संपूर्ण महाराष्ट्रातून आमच्या महाविद्यालयातील दोन प्रकल्प आयसीटीई छात्र विश्वकर्मा अवॉर्ड्स २०१९ या अंतिम स्पर्धेसाठी निवडले होते. त्यातील एका प्रकल्पास राष्ट्रीयस्तरावरील द्वितीय पारितोषिक मिळाल्यामुळे ग्रामीण भागातील विद्यार्थ्यांना राष्ट्रीय पातळीवर यशस्वी होताना बघणं अभिमानाचं ठरत आहे.

— झुंबरलाल भंडारी,

दिनेशकुमार लोडा, झुंबरलाल भंडारी, सुनीलकुमार चोपडा, यंत्र अभियांत्रिकी विभागप्रमुख डॉ. एस. डी. संचेती व इतर सर्व विभागप्रमुखांनी अभिनंदन करत वाटचालीस शुभेच्छा दिल्या.

Nashik, Main
29/02/2020 Page No. 5



चांदवड अभियांत्रिकीचे स्पोर्ट्स स्पर्धेत यश

चांदवड : पुढारी वृत्तसेवा

येथील नॅक मानांकित 'अ' दर्जाचे श्री नेमीनाथ जैन ब्रह्मचर्याश्रम संचलित स्व. सौ. कांताबाई भवरलालजी जैन अभियांत्रिकी महाविद्यालयातील विद्यार्थ्यांची टीम द स्पोर्ट्सने नाशिकपाठोपाठ पुणे येथे आयोजित करण्यात आलेल्या अँटो रेसिंग चॅम्पियनशिप - ०४ या राष्ट्रीय स्पर्धेत पुन्हा एकदा आपल्या कर्तृत्वाची छाप उमटवत तीन पुरस्कार पटकाविल्याची माहिती प्राचार्य डॉ. महादेव कोकाटे यांनी दिली.

या राष्ट्रीयस्तरावर झालेल्या स्पर्धेत देशभरातून ४० संघांनी सहभाग नोंदविला होता. अतिशय खडतर अशा चाचण्या पार करत गो - कार्ट



चांदवड : अभियांत्रिकीच्या टीम द स्पोर्ट्सने राष्ट्रीय स्पर्धेत तीन पुरस्कार पटकाविल्याबद्दल विद्यार्थ्यांचा सत्कार करताना प्राचार्य डॉ. एम. डी. कोकाटे, विभागप्रमुख डॉ. एस. डी. संचेती, डॉ. एम. आर. संघवी, प्रा. डी. डी. संचेती आदी.

कारणे हा विजय मिळविला आहे. या स्पर्धेत टीम द स्पोर्ट्स बनविलेल्या वॉर हॅमर २.० (गो - कार्ट कार)ने प्रवेग चाचणीत १०० मीटर अंतर

४.९० सेकंद या विद्युत वेगाने पार करीत दहा हजार रुपये रोख रक्कम व प्रथम पारितोषिक पटकाविले. त्याचबरोबर सीएड चाचणीतसुद्धा

दहा हजार रुपये रोख रक्कम व प्रथम पारितोषिक पटकाविले आहे. विद्यार्थ्यांनी बनविलेल्या या कारच्या अग्रतिम डिझाईन व अस्थिरकला

५ हजार रुपये रोख रक्कम व द्वितीय पारितोषिक प्रदान करण्यात आले. विद्यार्थ्यांना प्रा. डी. डी. संचेती यांचे मार्गदर्शन लाभले. ग्रामीण भागातून आलेल्या विद्यार्थ्यांच्या टीम द स्पोर्ट्समध्ये कॅप्टन चैतन्य ठाकूर व रायडर तुषार कुंभार्डेसह १६ विद्यार्थ्यांचा समावेश होता. या कारचे संपूर्ण डिझाईन महाविद्यालयाच्या वर्कशॉपमध्येच करण्यात आले.

या यशाबद्दल संस्थेचे प्रबंध समितीचे अध्यक्ष अजित सुराणा, अभियांत्रिकी महाविद्यालयाचे समन्वयक दिनेश लोडा, झुंबरलाल भंडारी, सुनील चोपडा, प्राचार्य डॉ. एम. डी. कोकाटे, डॉ. एस. डी. संचेती यांनी विद्यार्थ्यांचे अभिनंदन केले.

Nashik Gramin Edition
15 Feb, 2020 Page No. 1
Powered by : erelego.com

दिव्य मराठी विशेष • कोरोनाचा फैलाव रोखण्यासाठी उपयोगी; शीडी प्रिंटिंग तंत्रज्ञानाचा वापर विद्यार्थ्यांनी बनविले शिल्ड मास्क, स्मार्ट की-चेन

महेंद्र गुजराथी | चांदवड

कोरोनाचा संसर्ग टाळण्यासाठी संपूर्ण देश एकजूट होऊन कोरोनाविरुद्ध लढा देत आहे. या संकटाचा यशस्वीपणे मुकाबला करून आपले व पर्यायाने आपल्या देशाचे संरक्षण करणे हे एकच उद्दिष्ट सर्वांचे आहे. याच दृष्टिकोनातून प्रत्येकजण आपापल्यापरीने योगदान देण्याचा प्रयत्न करत आहे. याच पार्श्वभूमीवर येथील अभियांत्रिकी महाविद्यालयातील विद्यार्थ्यांनी शीडी प्रिंटिंग या अत्याधुनिक तंत्रज्ञानाचा उपयोग करून 'शिल्ड मास्क' व 'स्मार्ट की-चेन' ची निर्मिती केली आहे. महाविद्यालयातील चैतन्य ठाकूर या विद्यार्थ्याने स्मार्ट की-चेन विकसित केले असून हे स्मार्ट की-चेन घर, कार, ऑफिस यातील सर्वप्रकारचे दरवाजे उघडणे व बंद करण्याकरता वापरता येणार आहे. तसेच एटीएम, लिफ्ट, सार्वजनिक कॉम्प्युटरसं यासाठीदेखील याचा वापर करता येणार आहे.



चांदवड अभियांत्रिकी महाविद्यालयातील चैतन्य ठाकूर या विद्यार्थ्याने विकसित केलेले स्मार्ट की-चेन.



चांदवड अभियांत्रिकी महाविद्यालयातील अमित आठवले या विद्यार्थ्याने विकसित केलेले शिल्ड मास्क.

कॅमकॅड शीडी प्रिंटिंग तंत्रज्ञानाचा उपयोग

विद्यार्थ्यांनी कॅमकॅड शीडी प्रिंटिंग तंत्रज्ञानाचा उपयोग करून ही उपकरणे विकसित केली आहेत. या संशोधनाचा समाजासाठी अधिकाधिक उपयोग कसा करून घेता येईल या दृष्टिकोनातून आमचे प्रयत्न सुरू आहेत.

- डॉ. महादेव कोकाटे, प्राचार्य, अभियांत्रिकी महाविद्यालय, चांदवड

यामुळे या विविध वस्तू हाताळताना कोरोना या घातक साथीच्या विषाणूचा फैलाव रोखण्यासाठी मोठा हातभार लागणार आहे. या की-चेनमध्ये टच सेन्सर्सदेखील बसविण्यात आले

आहेत. त्यामुळे अजूनही अनेक ठिकाणी याचा उपयोग होऊ शकतो.

अमित आठवले या विद्यार्थ्याने एक खास शिल्ड मास्कदेखील विकसित केले आहे. याचा वापर डॉक्टरंसह कोरोनाचा प्रसार रोखण्यासाठी विविध क्षेत्रात काम करणाऱ्या व्यक्तींनादेखील होऊ शकणार आहे. सदर फेशियल मास्क हे जागतिक आरोग्य संघटनेच्या मानकांनुसार विकसित करण्यात आले आहे.

या विद्यार्थ्यांना प्रा. राहुलकुमार सोनार व प्रा. दीपक संचेती यांचे मार्गदर्शन लाभले. या समाजोपयोगी संशोधनावदल विभागप्रमुख डॉ. एस. डी. संचेती, प्राचार्य डॉ. एम. डी. कोकाटे, विश्वस्त मंडळाचे अध्यक्ष वेवीलाल संचेती, उपाध्यक्ष दिनेशकुमार लोढा, प्रबंध समितीचे अध्यक्ष अजितकुमार सुराणा, महाविद्यालयाचे समन्वयक झुंबरलाल भंडारी, सुनीलकुमार चौपडा यांनी विद्यार्थ्यांचे कौतुक केले आहे.

लोकमत

चांदवड : औद्योगिक विद्यापीठ संशोधन सहकार्य करार अभियांत्रिकीत अत्याधुनिक प्रिंटिंग दालन

लोकमत न्यूज नेटवर्क

चांदवड : येथील श्री नेमिनाथ जैन ब्रह्मचर्याश्रम संचालित स्व. सी. कांतयाई भयरलाल जैन महाविद्यालयाच्या यंत्र अभियांत्रिकी विभागात सेंटर ऑफ एक्सलेन्स फॉर रॅपिड प्रोटोटायपिंग इन शीडी प्रिंटिंग दालनाचा शुभारंभ करण्यात आला.

यावेळी औद्योगिक विद्यापीठ संशोधन सहकार्य (इंडस्ट्रियल युनिव्हर्सिटी रिसर्च को-ऑपरेशन) या उपक मातर्गत आंतरराष्ट्रीय औद्योगिक करारावर स्वाक्ष्याही करण्यात आल्या. याविषयी अधिक माहिती देताना यंत्र अभियांत्रिकी विभागप्रमुख डॉ. एस. डी. संचेती यांनी सांगितले की, या उपक्रमांतर्गत महाविद्यालयाला तीन शीडी प्रिंटर प्रदान करण्यात आले आहे. भविष्याचा वेध घेता जग आता झपाट्याने प्रगती करत चाललेले आहे आणि रोज नवनवीन तंत्रज्ञान विकसित



चांदवड येथील महाविद्यालयात चीनच्या शॅंझेनमधील डेव्हिड लियू यांचा सत्कार करताना दिभू मोहपात्रा. समवेत मिस झोई वॅंग, एम.एम. राठोड, मिलियर खंडार, महेश संघवी, एस.एस. देवरे, वाय.एल. भिरुड, एस. डी. संचेती आदी.

याद्वारे फूड प्रोसेसिंग, ज्वेलरी मेकिंग, मेडिकल इन्फ्रामेन्ट्स, रॅपिड प्रोटोटायपिंग अगदी कमी वेळेत करू शकणार आहेत. याच अनुषंगाने विद्यार्थ्यांना व शिक्षकांना याचे प्रशिक्षण देऊन याचा प्रचार, प्रसार करण्यात येत आहे. याच बरोबर विद्यार्थ्यांना चीनमध्ये औद्योगिक प्रशिक्षणाची संधी प्राप्त करून देण्यात येणार आहे.

होत आहे. त्याचाच एक भाग शीडी शॅंझेनमधील ऍनेट टेक्नॉलॉजीचे प्रिंटिंग आहे. याप्रसंगी चीनच्या संस्थापक डेव्हिड लियू, मिस झोई वॅंग

मार्केटिंग हेड ऍनेट टेक्नॉलॉजी, वि. मोहपात्रा, चिफ ऑपरिंग ऑफिसर ३ आयडिया टेक्नॉलॉजी, मुंबई, व मिल खंडार सीईओ ट्रिझोक इ सोल्युशन्स मुंबई तसेच प्राचार्य डॉ. एम.डी. कोकाटे उपस्थित होते. आयोजन प्रा. पी. १ कापसे व प्रा. एच. एस. देवरे यांनी केले होते.

अभियांत्रिकी विद्यार्थ्यांनी बनविलेल्या गाड्यांचा शुभारंभ

चांदवड । प्रतिनिधी

येथील श्री नेमिनाथ जैन ब्रह्मचर्याश्रम संचालित सौ. कांताबाई भयरलालजी जैन अभियांत्रिकी महाविद्यालयातील विद्यार्थ्यांनी बनविलेल्या ऑल टेरन व्हेईकल (आयर्नलाईट ३.०, इफिसायकल (अल्ट्रा २.०), गो कार्ट (बॉर हॉमर २.०) या तीनही गाड्यांचा उद्घाटन सोहळा नुकताच पार पडला.

यावेळी कार्यक्रमाचे प्रमुख पातणे म्हणून संस्थेचे प्रबंध समितीचे अध्यक्ष वेबोलाल संचेती, महाविद्यालयाचे समन्वयक दिनेशकुमार लोढा, झुंबरलाल भंडारी, सुनीलकुमार चोपडा तसेच आंतरराष्ट्रीय लेखक ऋषभ बलदोटा व डब्ल्यू. ई. ए. ए., इंडिया २०२० अवॉर्ड विनर निवेदिता पवार-पारराव यांची उपस्थिती होती.

याविषयी अधिक माहिती देताना महाविद्यालयाचे प्राचार्य डॉ. एम. डी. कोकाटे यांनी सांगितले की,



अशा माध्यमातून आम्ही विद्यार्थ्यांना त्यांची शैक्षणिक प्रतिभा वाढविण्याची संधी देतो. यामुळे ग्रामीण भागातील विद्यार्थ्यांमध्ये संशोधन संस्कृती वाढून विद्यार्थी त्यांच्या पुढच्या प्रवासात येणाऱ्या अडथळांवर मात करू शकतो. - प्राचार्य डॉ. एम. डी. कोकाटे



चांदवड अभियांत्रिकीने तयार करून दिलेल्या व्यासपीठाने, वेळोवेळी केलेल्या मार्गदर्शनामुळे आम्ही सामाजिक व शैक्षणिकदृष्ट्या सबळ झालो व याचा फायदा आम्हाला पुढील आयुष्यासाठी होत आहे. - ऋषभ चोपडा (माजी विद्यार्थी)

या विद्यार्थ्यांच्या चमूने बनविलेल्या एट्रीव्ही (टीम क्रू), इफिसायकल (टीम एलॅंजर्स), गो कार्ट (टीम स्पारटन्स)

या सर्व ही गाड्यांचे उत्कृष्ट प्रदर्शन मांडण्यात आले व त्याचबरोबर या संध्यांनी राष्ट्रीय पातळीवर केलेल्या

सर्वोच्च कामगिरीचे सक्षिप्त विवरण छोट्या पडद्यावर दाखविण्यात आले होते. या विवरणाप्रसंगी विद्यार्थ्यांच्या पालकांनाही आर्मांत्रित करण्यात आले होते.

चांदवड अभियांत्रिकी हे ग्रामीण भागातील अभियांत्रिकी महाविद्यालय असूनही विद्यार्थ्यांना नेहमीच राष्ट्रीय पातळीवर ओळख निर्माण करण्याची संधी देते. तसेच विद्यार्थ्यांचा सर्वतोपरी विकास कसा होईल यावर लक्ष देत असते त्याचेच हे फळ आहे की, चांदवड अभियांत्रिकीचे विद्यार्थी राष्ट्रीय पातळीवर महाविद्यालयाचे तसेच ग्रामीण भागाचे नाव लौकिक करत आहेत, असेही डॉ. एम. डी. कोकाटे यांनी सांगितले.

या कार्यक्रमाचे आयोजन यंत्र अभियांत्रिकीचे विभागप्रमुख डॉ. एस. डी. संचेती यांनी केले होते. या उत्कृष्ट कामगिरीसाठी विद्यार्थ्यांना प्रा. ए. एस. देवरे व प्रा. डी. डी. संचेती यांचे मार्गदर्शन लाभले.

दिव्य मराठी विशेष • अविष्कार २०१९-२० या प्रकल्प सादरीकरण स्पर्धेत विद्यार्थ्यांची चमकदार कामगिरी चांदवड अभियांत्रिकीचे चार प्रकल्प विद्यापीठस्तरावर

प्रतिनिधी | चांदवड

स्वयंसेवाई फुले पुणे विद्यापीठातर्फे नाशिक येथे घेण्यात आलेल्या 'अविष्कार २०१९-२०' या प्रकल्प सादरीकरण स्पर्धेत येथील श्री नेमिनाथ जैन ब्रह्मचर्याश्रम संचालित स्व. कांताबाई भयरलालजी जैन अभियांत्रिकी महाविद्यालयातील विद्यार्थ्यांनी प्रथम क्रमांक पटकावला. या स्पर्धेत चांदवड अभियांत्रिकीच्या एकूण चार संशोधन प्रकल्प विजयी झाले असून त्यांची निवड विद्यापीठस्तरावर स्पर्धेसाठी करण्यात आल्याची माहिती महाविद्यालयाचे प्राचार्य डॉ. एम. डी. कोकाटे यांनी दिली.

विजयी झालेले प्रकल्पांमध्ये अंशे इन्व्हेस्टर्स टीमने बनविलेला 'क्रॉस



चांदवड येथील अभियांत्रिकीच्या विद्यार्थ्यांनी आविष्कार स्पर्धेत अद्वितीय कामगिरी केल्याबद्दल त्यांचे अभिनंदन करताना अभियांत्रिकी महाविद्यालयाचे समन्वयक झुंबरलाल भंडारी, प्राचार्य डॉ. एम. डी. कोकाटे, विभागप्रमुख डॉ. एस. डी. संचेती, प्रा. के. एम. संघवी, प्रा. आर. एस. चौधरी, प्रा. डी. जे. पवार आदी.

वेस्ट मल्व्हर फॉर प्रूटस फार्मिंग', अंशे टेक्नो क्रिएटर्सनी बनविलेल्या 'स्मार्ट ऑनियन सॉलरटिंग मशीन', अंशे अभियंताने बनविलेल्या 'स्मार्ट शुगर केन प्लॅन्टर' व अंशे यांत्रिकीज्ञच्या टीमने बनविलेल्या 'स्मार्ट मेझ प्लॅन्टर' या चार संशोधन प्रकल्पांचा

समवेत आहे. या स्पर्धेमुळे ग्रामीण व शहरी भागातील विद्यार्थ्यांमध्ये संशोधन संस्कृती वाढते. ही स्पर्धा सर्जनशील असल्याची गुंतागुंत कमी करते व असे करण्याचा मार्ग शोध करतो त्याचबरोबर शैक्षणिक प्रतिभेच्या अभिव्यक्तीची संधी प्रदान करते.

चांदवड अभियांत्रिकी महाविद्यालय सलग तीन वर्षांपासून या स्पर्धेत आपले विजयाची मोहोर उमटवता आले असून यानुवदेही ग्रामीण भागातील विद्यार्थ्यांना प्रोत्साहन देण्यासाठी तसेच त्यांच्या आर्थिक, सामाजिक व शैक्षणिकदृष्ट्या प्रगतीसाठी

प्रयत्नशील राहणार असल्याचा आश्वासक प्राचार्य डॉ. एम. डी. कोकाटे यांनी व्यक्ता केला. या प्रकल्पासाठी प्रा. के. एम. संघवी, प्रा. आर. एस. चौधरी, प्रा. व्ही. सी. जाधव, प्रा. एम. ए. मेचकुल, प्रा. डी. जे. पवार आदींचे मार्गदर्शन लाभले. या प्रकल्प समन्वयक म्हणून प्रा. आर. एस. चौधरी व स्पर्धेचे समन्वयक डॉ. एस. एन. कालिया हे होते. या यशस्विल यशस्वी विद्यार्थ्यांचे संस्थेच्या प्रबंध समितीचे अध्यक्ष वेबोलाल संचेती, अभियांत्रिकी महाविद्यालयाचे समन्वयक दिनेशकुमार लोढा, झुंबरलाल भंडारी, सुनीलकुमार चोपडा, प्राचार्य डॉ. एम. डी. कोकाटे, यंत्र अभियांत्रिकी विभागप्रमुख डॉ. एस. डी. संचेती व विभागप्रमुखांनी अभिनंदन केले.



SNJB'S LATE SAU K.B JAIN COLLEGE OF ENGINEERING

STEERING COMMITTEE

SHRI. DINESH LODHA
(DIRECTOR, TRUST BOARD)

SHRI. ZUMBARLAL
BHANDARI
(JOINT HON. SECRETARY ,
PRABANDH SAMITI)

SHRI. SUNIL CHOPDA
(MEMBER , PRABANDH
SAMITI)

DR.MAHADEO D. KOKATE
(PRINCIPAL, COLLEGE OF
ENGINEERING)

CHIEF EDITOR:

DR. S.D SANCHETI
(HOD MECHANICAL)

EDITOR (I/C)

MR. D. S. SURYAWANSHI
(ASSISTANT PROFESSOR)

ADDRESS

SNJB'S

LATE.SAU K.B. JAIN

COLLEGE OF ENGINEERING

DEPARTMENT OF MECHANICAL
ENGINEERING

NEMINAGAR, CHANDWAD
423101

WEBSITE: WWW.SNJB.ORG

Email: hodmechcoe@snjb.org